

BED LOCATOR



SPECIFICATIONS:

The bed locator shall be an Amico **Alert-2** series.

The bed locator cover shall be made of Vacuum formed KYDEX-T (Snowflake 62029).

It shall protrude no more than 4-1/2" from the wall. The height of the bed locator is 22" and the width is 50".

The bed locator can accommodate upto 4 electrical/communication devices on the left and right side of the unit.

The bed locator is **UL** Listed to U.S. and Canadian safety standards.



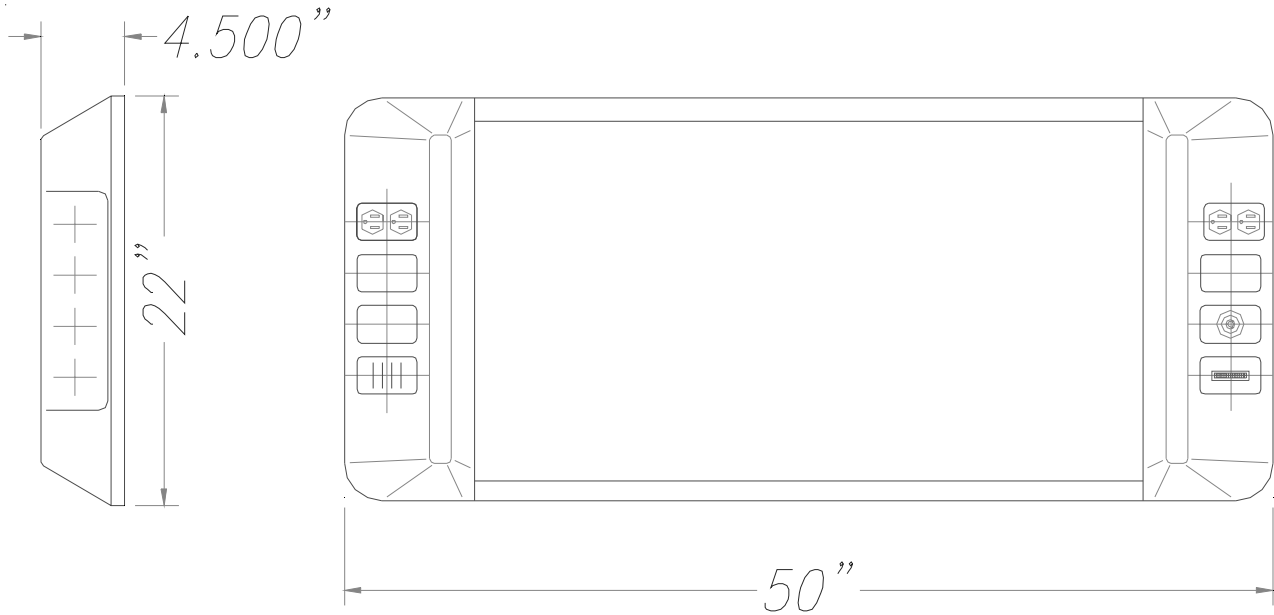
FEATURES:

- Provides a clean and aesthetic appearance in any patient room.
- Low-voltage solid state controller puts switching, normally controlled through the nurse handset, within easy reach.
- Easy to clean and disinfect with standard household cleaners.

PROJECT:



MOUNTING & DIMENSIONAL DATA



MODEL NUMBERS

W-BED-LOCATOR

PLACEMENT GRID:

Legend	ELECTRICAL and/or COMMUNICATION	POSITION	
		LEFT	RIGHT
E1	Duplex Receptacle - Hospital Grade - Red or Ivory 125V 20amp		
E2	Duplex Receptacle - Hospital Grade - Red or Ivory 125V 15amp		
S1	Simplex Receptacle - Hospital Grade - Red or Ivory 125V 20amp		
S2	Simplex Receptacle - Hospital Grade - Red or Ivory 125V 15amp		
T1	Twist-Lock Receptacle - Hospital Grade - 23000HG-Hubbell		
NL	Night Light		
BL	Blank Provision		
BR	Bed Receptacle		
37	37-Pin Receptacle		

DISTRIBUTED BY:

