



OVERBED LIGHT

SPECIFICATIONS:

The overbed light shall be an Amico **Alert-2** series.

Fixture shall be made of 20 gauge steel housing and aluminium extruded lamp housing.

It shall protrude no more than 6" from the wall. The (2) lamp housing shall house four T8 lamps (by others). There shall be two 2-lamp high power factor class P, CBM, "A" sound rated ballasts for separate uplight and downlight operation with 120V, 60Hz electronic ballasts (optional 277 volts).

Lenses shall be high impact resistant clear ribbed acrylic plastic with the upper lens directing light up and out for indirect room lighting and the bottom lens for directing light downward and out toward the patient area. The top lamp compartment shall swing down toward the patient at approximately 35 degrees to allow for patient examination. Handles are to be provided for this purpose at each end.

Front panels shall be clear anodized aluminium extrusion with full-length support channels for both top and bottom lenses and shall accept a replaceable plastic laminated decor panel.

Switching shall be accomplished by means of a four-position pull chain switch located in the centre of the fixture. It shall allow sequential patient control of: down / up / both / off. Other switching options include a variety of switching applications where low voltage patient control is required. This shall be accomplished through the use of an Amico solid state low voltage controller.

The light shall have a Bed-Stop interlock safety system, this disconnects the power to the bed, if the bed or a bed mounting I.V. Pole is raised high enough to make contact with the light.

The Overbed Light is **UL** Listed to U.S. and Canadian safety standards.

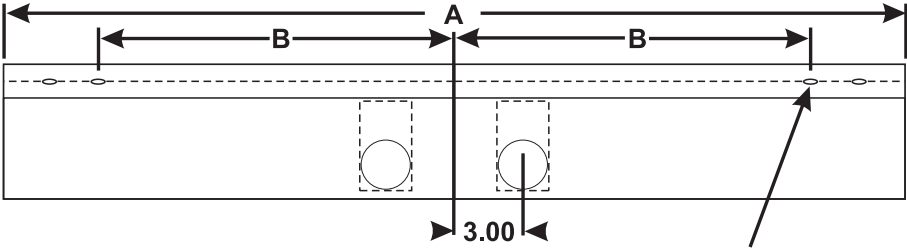


FEATURES:

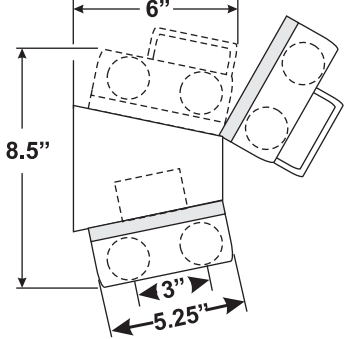
- Uplight and downlight lamps are on independent ballast circuits, unless otherwise stated.
- Independent circuits are switched according to the individual needs of the facility.
- Decorator insert panels are available in standard selections of colors and patterns from Wilson Art and Formica.
- Optional low-voltage solid state controller puts switching, normally controlled through the nurse handset, within easy reach.
- Pull-down handles conveniently swivel the upward light down toward the patient area, directing it right where it is needed.
- Automatic Bed-Stop safety feature.

PROJECT:

MOUNTING & DIMENSIONAL DATA



Mounting Holes
(4) 3/8" * 1"



Nominal length	A		B	
	in	mm	in	mm
3 feet	36-7/8	937	13-1/2	343
4 feet	48-7/8	1241	19-1/2	495

Weight: 19.0 lbs (13.0 kg)

MODEL NUMBERS

W-LT4-SX-NO

- | | | |
|--|--|--|
| <p>LT3 = 3 foot length
LT4 = 4 foot length</p> | <p>SX = No Switch
S2 = On/Off pull chain
S3 = 3-Way pull chain
S4 = 4-Way pull chain</p> | <p>NO = No option
E2 = Hospital Grade Duplex Receptacle
277 = 277 Volt, 60Hz Operation
LVC = Low Voltage Contoller</p> |
|--|--|--|

Please note T8 lamps are not included with light.
Please specify Formica or Wilson Art decor panel, standard Antique White.

DISTRIBUTED BY:

