



# CEILING COLUMN OUTLET QUICK DISCONNECT CHEMETRON COMPATIBLE

## SPECIFICATIONS:

The medical gas outlet shall be an Amico **Alert-1** series.

Outlets shall be manufactured with an 6 - 1/2" [165 mm] length type "K" 1/2" [12.7 mm] outside diameter (3/8" nominal) size copper inlet pipe stub, which is silver brazed to the outlet body. Body shall be 1 - 5/16" [33 mm] diameter one piece brass construction. For positive pressure gas services, the outlet shall be equipped with a primary and secondary check valve and the secondary check valve shall be rated at a minimum 200 psi [1,379 kPa] in the event the primary check valve is removed for maintenance. Outlet bodies shall be gas specific by indexing each gas service to a gas specific dual pin indexing arrangement on the respective identification module.

A large color coded front plate shall be used for ease of gas identification and aesthetic appeal.

With the back rough-in mounted the outlet shall adjust up to 3/4" [19 mm] variation in mounting plate thickness.

The latch valve assembly shall be Chemetron Quick Connect compatible and accept only corresponding type gas specific adapters.

All M.R.I. outlets are manufactured from nonferrous material.

All outlets shall be cleaned and degreased for medical gas service, factory assembled and tested.

The outlet are **UL** Listed and **CSA** approved.

Amico products comply with NFPA-99.



## FEATURES:

- Flow rate exceeds the requirements of NFPA and CSA.
- Accepts only Chemetron gas specific adapters.
- 100 % hydrostatic testing of each outlet and cleaned for medical gas service.
- Indexed to eliminate interchangeability of gas services.
- Up to 3/4" [19 mm] mounting plate thickness adjustment.
- Universal rough-in assembly to accept Quick Disconnects or DISS front adapters. (Can be interchanged at any time).
- Outlets are also available for M.R.I. use.

## PROJECT:

---



---

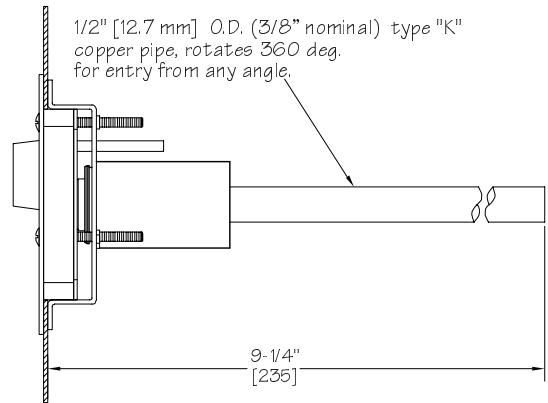
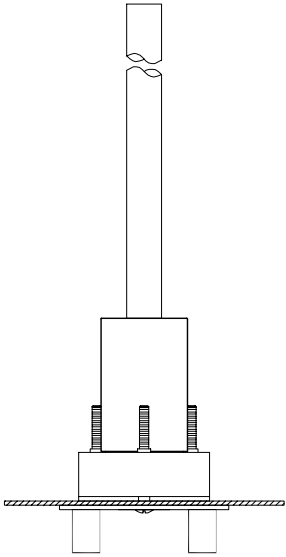


---



# DIMENSIONS

inch  
[mm]

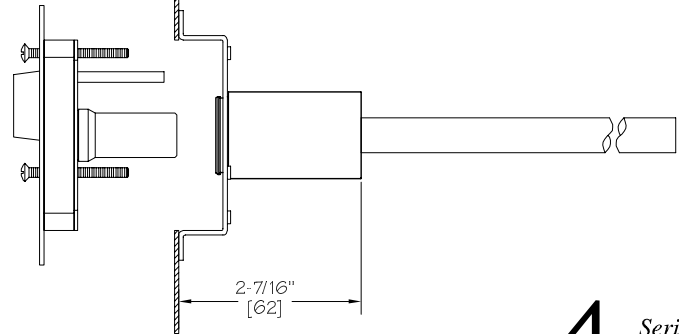
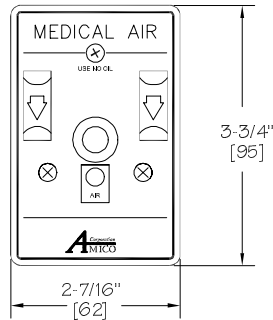
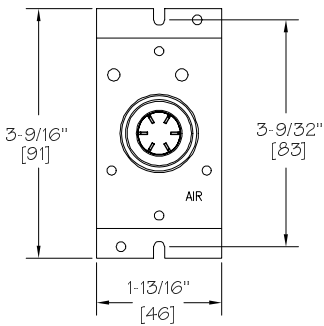


FRONT VIEW  
BACK  
ASSEMBLY

FRONT VIEW  
FRONT  
ASSEMBLY

SIDE VIEW  
FRONT  
ASSEMBLY

SIDE VIEW



# MODEL NUMBERS

The L defines the Language:

**O-CHCCOL-L-XXX**

U = English (NFPA) Oxy, Air, Vac and WAG only.

E = English (CSA)

F = French (CSA)

S = Spanish (NFPA) Oxy, Air, Vac and WAG only.

Example:

English NFPA, Oxygen = O-CHCCOL-U-OXY

The XXX defines the Gas:

Oxygen	=	OXY
Medical Air	=	AIR
Nitrous Oxide	=	N2O
MedVac	=	VAC
Waste Anesthetic Gas Disposal	=	WAG (NFPA)
Anesthetic Gas Scavenging System	=	AGS (CSA)

# DISTRIBUTED BY: