

**SPECIFICATIONS:**

The Medical Gas Ambulance outlet shall be an Amico **Alert-1** series.

Medical Gas Ambulance outlets shall be gas specific and permanently labelled for the services indicated.

All outlets meet applicable requirements of “*Federal Specification for Ambulances*” **KKK-A-1822C**. Amico ambulance outlets comply with NFPA-99.

For positive pressure gas services, the outlet shall be equipped with a primary and secondary check valve and the secondary check valve shall be rated at a minimum 200 psi [1,379 kpa] in the event the latch valve assembly is removed for maintenance. Outlet bodies shall be gas specific by indexing each gas service to a gas specific dual pin indexing arrangement on the respective identification module.

The gas inlet tube of the outlet body shall be a hose barb fitting to permit connection of either 1/4” or 5/16” O.D. flexible hose with a crimp type ferrule or gas specific DISS connection brazed to the back body of the gas outlet which will allow a gas specific hose to be attached to the connection.

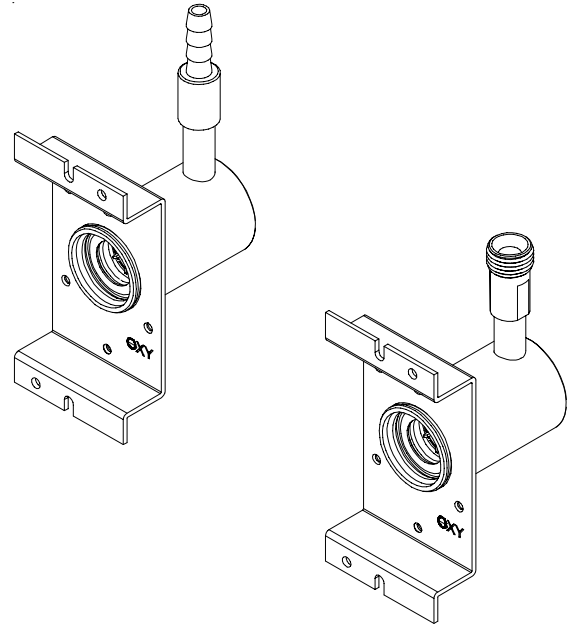
A large color coded front plate shall be used for ease of gas identification and aesthetic appeal.

The latch-valve assembly shall be Ohmeda Diamond Quick Disconnect, Chemetron Quick Connect, Puritan-Bennett Quick Disconnect, or DISS compatible and accept only corresponding type gas specific adapters.

All outlets shall be cleaned and degreased for medical gas service, factory assembled and tested.

All outlets are **UL** Listed and **CSA** approved.

Amico products comply with NFPA-99.



**FEATURES:**

- Compensates for installation depth variations.
- 360 degree swivel inlet connection.
- Gas specific indexing.
- 100% tested for flow, leaks and connector retention.
- Gas specific rough-in accepts either:
  - Puritan-Bennett,
  - Ohmeda,
  - Chemetron, or
  - DISS

**PROJECT:**

---



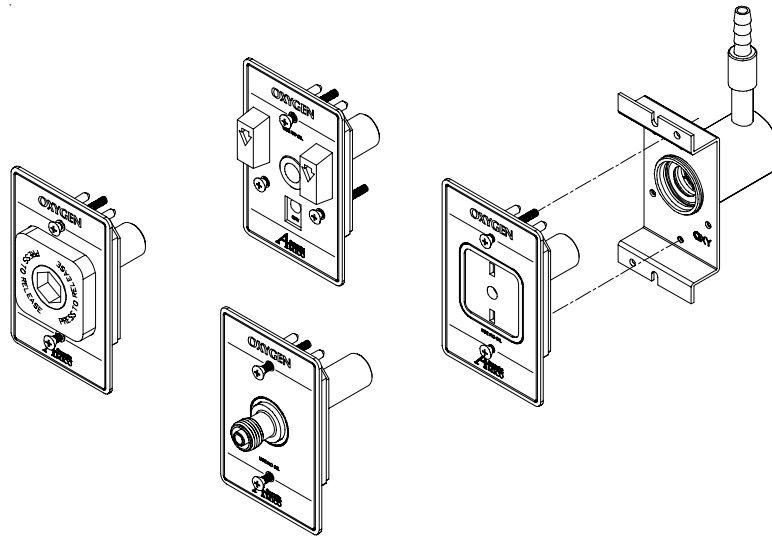
---



---



# D I M E N S I O N S



**A** Series  
ALERT-1

## M O D E L N U M B E R S

### L A T C H - V A L V E A S S E M B L Y

- QD = Ohmeda compatible
- CH = Chemetron compatible
- PB = Puritan-Bennett compatible
- DI = DISS

The L defines the Language:

- U = English (NFPA) Oxy, Air, Vac and WAG only.
- E = English (CSA)
- F = French (CSA)
- S = Spanish (NFPA) Oxy, Air, Vac and WAG only.

The XXX defines the Gas:

- |                                  |   |            |
|----------------------------------|---|------------|
| Oxygen                           | = | OXY        |
| Medical Air                      | = | AIR        |
| Nitrous Oxide                    | = | N2O        |
| *Nitrogen                        | = | NIT        |
| *Carbon Dioxide                  | = | CO2        |
| MedVac                           | = | VAC        |
| Waste Anesthetic Gas Disposal    | = | WAG (NFPA) |
| Anesthetic Gas Scavenging System | = | AGS (CSA)  |

**O-FASC-QD-L-XXX**

### R O U G H - I N A S S E M B L Y

\* = Available only in DISS

- O-BAKCOND-L-XXX** (DISS connection)
- O-BAKCONB-L-XXX** (1/4" Hose Barb connection)
- O-BAKCONH-L-XXX** (5/16" Hose Barb connection)
- O-BAKCONP-L-XXX** (1/8" MNPT)
- O-BAKCONG-L-XXX** (3/8" Hose Barb Connection, Air or Vac only.)
- O-BAKCOND2L-XXX** (DISS Double)
- O-BAKCONT-L-XXX** (Pass Single)

The L defines the Language:

- U = English (NFPA) Oxy, Air, Vac and WAG only.
- E = English (CSA)
- F = French (CSA)
- S = Spanish (NFPA) Oxy, Air, Vac and WAG only.

## D I S T R I B U T E D B Y :