

INSTRUCTIONS FOR INSTALLATION

Provide proper structural support— Weight approx. 29lbs. (4 ft. fixture) depending on ballasts. Provide power feed electrical box.

For feed openings and mounting holes see FIG.1

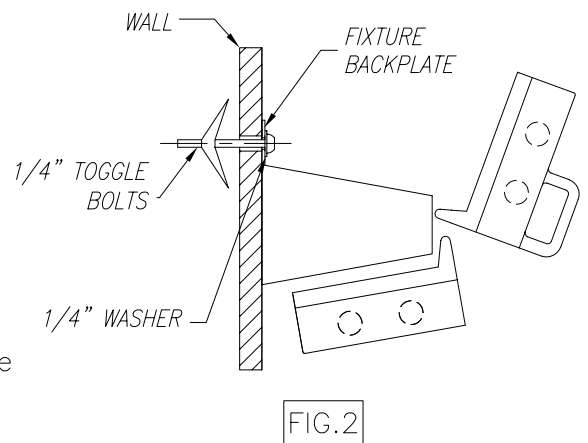
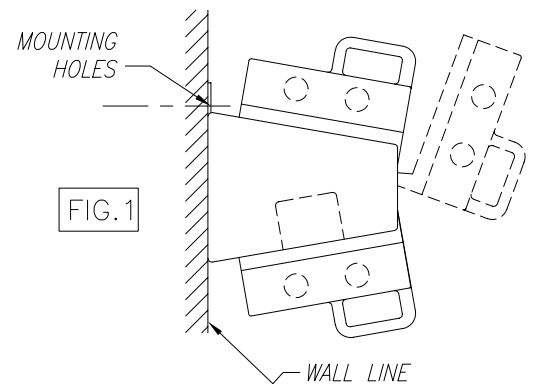
Use the proper hardware to mount fixture for specific wall construction. (FIG.2)

To gain access to the wiring compartment remove the top cover plate. To make the proper wiring connections see the diagram on the inside cover plate. When complete replace the cover plate.

Apply "For bed use only" label to cover plate wired to safety bed power receptacle.

(STEP-A)

As an alternate to toggle bolts 1/4" holes in fixture back panel to align with metal wall studs or metal wall backing plate, use #12 x 1-1/2" TEKS screws thru fixture back panel into wall studs or wall backing plate.

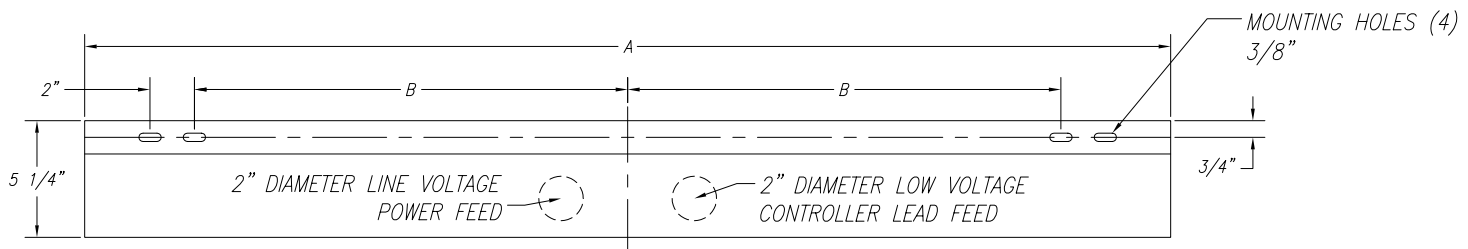


Mounting and Dimensions Drill 11/16" diameter hole (2) places (1 at each end of light) making sure holes are level. WARNING: NO TOGGLE BOLTS IN SMOKE OR RATED WALLS. SEE STEP "A" FOR ALTERNATE MOUNTING.

Recommended height for mounting:

The fixture is recommended to be installed at a height of six feet (1.8m) above the floor.

FIXTURE MOUNTING SURFACE DETAIL



Nominal Length	A		B	
	in	mm	in	mm
3 ft.	36-7/8	936	13-1/2	343
4 ft.	48-7/8	1241	19-1/2	495