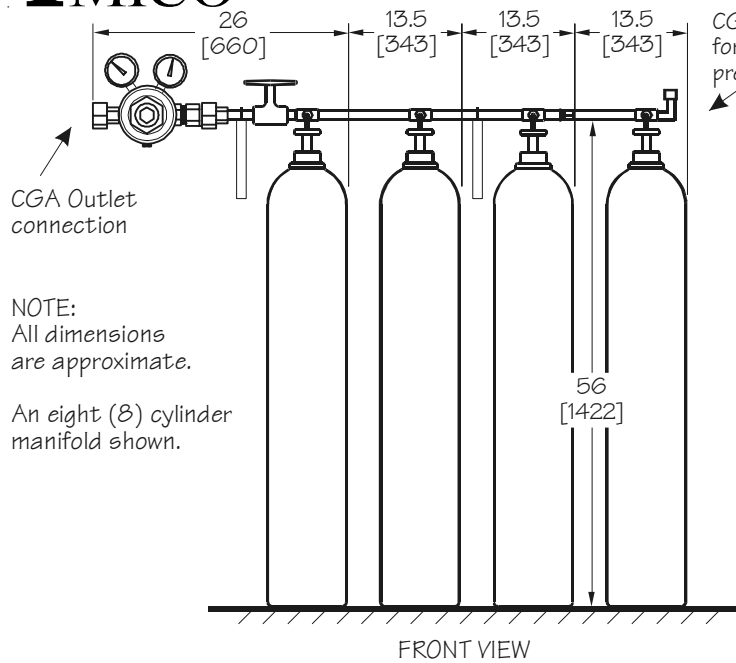
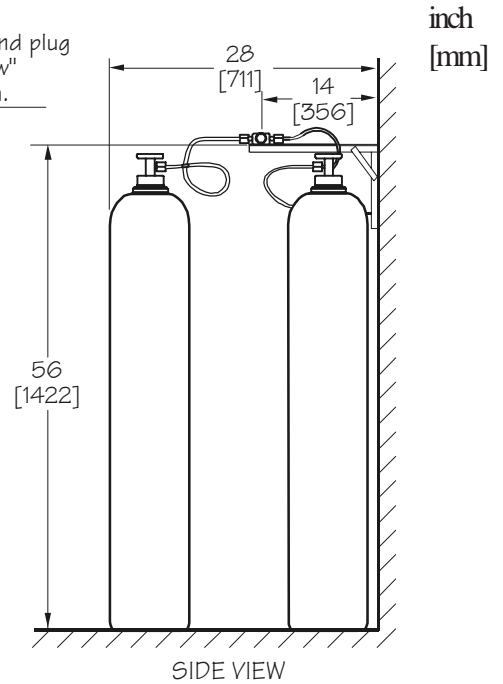


## SIMPLEX MANIFOLD (RESERVE MANIFOLD)



CGA adapter and plug for "Reserve Low" pressure switch.



### FEATURES:

- Rigid copper pigtails with check valves.
- 3000 psi working pressure.
- CGA adapter port for pressure switch installation.
- Wall mounted bracket included.
- Staggard type for maximizing wall space.
- High pressure master isolation valve.
- High flow capacity regulator.
- Simplex Manifold complies with NFPA-99.

### MODEL NUMBERS:

#### M-SIMP-E-XX-GAS

Simplex reserve manifold.

Replace XX with the total amount of cylinders.  
Replace GAS with the appropriate gas.

For example: 10 Cylinder Medical Air = **M-SIMP-E-10-AIR**

#### Cylinders Overall Manifold Length

2	26 [660]		
4	39 [991]		
6	52 [1321]	Medical Air	= AIR
8	65 [1651]	Oxygen	= OXY
10	78 [1981]	Carbon Dioxide	= CO2
12	91 [2311]	Nitrous Oxide	= N2O
14	104 [2642]	Nitrogen	= NIT
16	117 [2972]		
18	130 [3302]		
20	143 [3632]		

#### M-MAN-11-RESE

Pressure Switch set @ 1,100 psi decreasing pressure.

### PROJECT:

---



---



---

D I S T R I B U T E D   B Y :