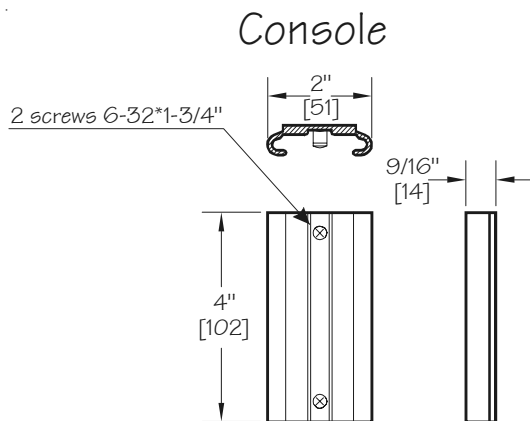
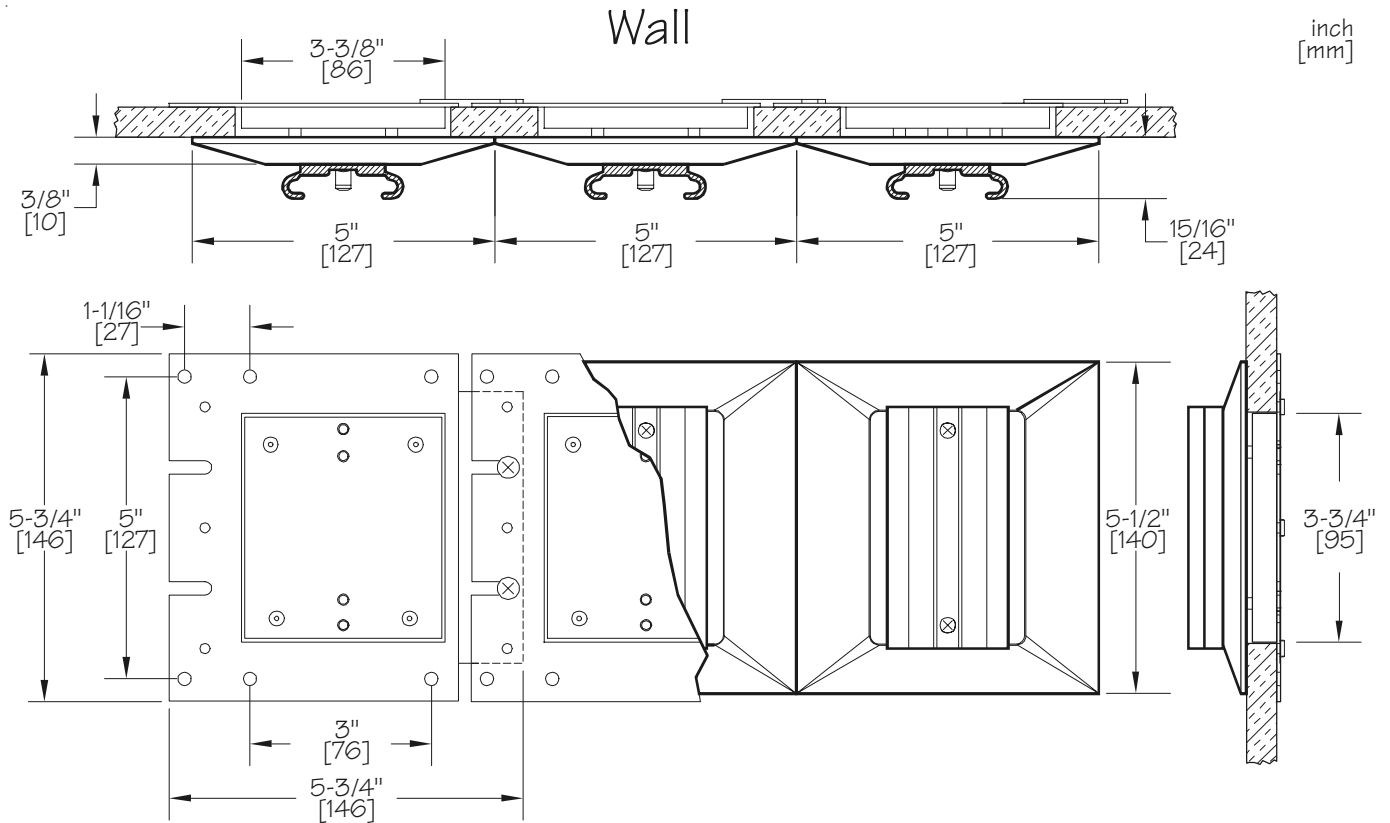


# SLIDE BRACKET WALL AND CONSOLE



## MODEL NUMBERS

Wall Slide: **O-WALSLIDE**  
Console Slide: **O-CONSLIDE**

## MATERIALS OF CONSTRUCTION

Slide: Anodized Aluminium  
Stopper: Nylon  
Screws: Plated Steel  
Cover Plate: Chrome plated ZINC  
Back-Assembly: Plated Steel

Available for M.R.I.

PROJECT:

---



---



---

D I S T R I B U T E D   B Y :

**A** Corporation  
**AMICO** 14 Madison Rd., Fairfield, NJ 07004 USA  
85 Fulton Way, Richmond Hill, ON L4B 2N4 Canada

Tel: 1-877-GOAMICO (1-877-462-6426)  
Fax: (905) 764-0862 [www.amico.com](http://www.amico.com)

MAR-03