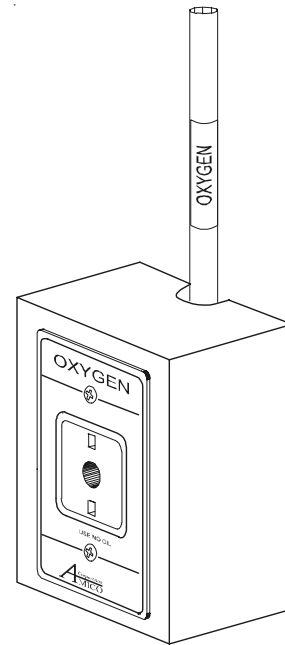
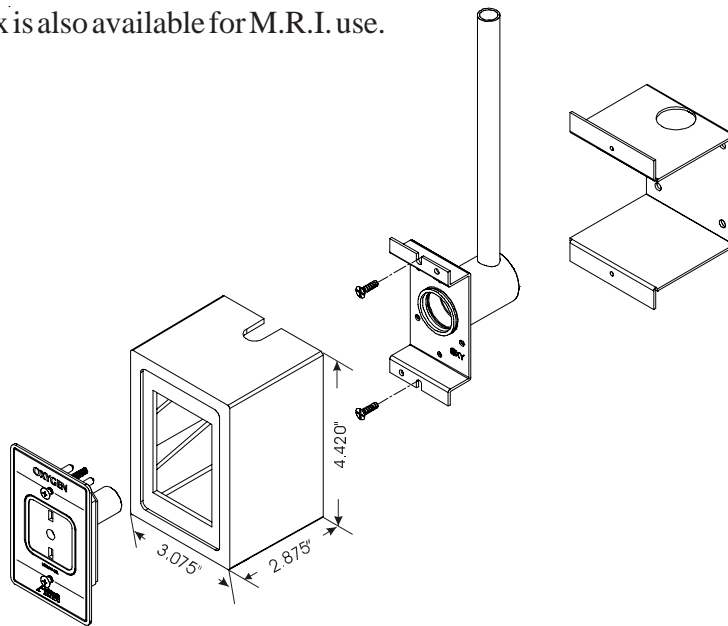


# OUTLET SURFACE MOUNTING BOX

## FEATURES:

- Single outlet surface mounting box.
- Will accept any Amico console outlet.
- Baked painted steel (18 gauge) bracket is screwed to wall holding outlet roughin in place for piping to gas supply line.
- White ABS fire retardant plastic cover box and outlet latch valve assembly complete surface mounting outlet.
- Surface box is also available for M.R.I. use.



4 Wall mounting Holes  
3/16" Diameter  
(screws to be provide  
by contractor)

## MODEL NUMBERS

- |                        |                    |
|------------------------|--------------------|
| <b>O-SURF-BOX</b>      | -complete unit     |
| <b>H-MPP-0604</b>      | -2 mounting screws |
| <b>O-X-SURF-BOX-PL</b> | -cover box         |
| <b>O-SURF-X-BRKT</b>   | -bracket           |

PROJECT:

---



---



---

D I S T R I B U T E D B Y :

**A** *Corporation*  
**AMICO** 14 Madison Rd., Fairfield, NJ 07004 USA  
85 Fulton Way, Richmond Hill, ON L4B 2N4 Canada

Tel: 1-877-GOAMICO(1-877-462-6426)  
Fax: (905) 764-0862 [www.amico.com](http://www.amico.com)

MAR-03