

**SPECIFICATIONS:**

Zone valve boxes shall be an Amico **Alert-1** series.

Each recessed zone valve box shall consist of the following components: A steel valve box which can house one chrome plated shut-off ball valve with tube extensions, an aluminum frame, and a pull-out removable window.

The valve box shall be constructed of 18 gauge steel complete with a baked white enamel finish. Affixed to the opposing sides of the box will be two adjustable steel brackets for the purpose of mounting the box to the structural support. The steel brackets shall accommodate various finished wall thicknesses of between 3/8" [9.5 mm] and 1 3/16" [30 mm] and shall be field adjustable.

The frame assembly shall be constructed of anodized aluminum and shall be mounted to the back box assembly by standard number 6-32 screws as provided. The removable front shall be a clear Lexan window with a pull-out ring pre-mounted to the centre of the window.

Access to the zone shut-off valve shall be by merely pulling the ring assembly to remove the window from the frame. The window can be reinstalled without the use of tools only after the valve handle has been returned to the open position.

The window shall be marked to prohibit unauthorized persons from tampering with the valve with the following silk-screen caution:

**“CAUTION: MEDICAL GAS CONTROL  
VALVE  
CLOSE ONLY IN EMERGENCY”**

The Valve shall be 3 piece ball-type design with a bronze body and chrome plated brass ball for sizes 1/2" to 3". Seats shall be Teflon (TFE) and seals Viton for 1/2"- 3". A blow-out proof stem shall be used and the valve shall



have a minimum pressure rating of 600 psi [4,137 kPa].

Valve shall be operated by a lever-type handle requiring only a quarter turn from a fully open position to a fully closed position.

The valve shall be equipped with type “K” washed and degreased copper pipe stub extensions of sufficient length to protrude beyond the sides of the box.

The entire valve body and pipe stubs shall be plated to a minimum of 1" [25 mm] beyond the sides of the back box, but in no instance shall the chrome plating be extended to the ends of the pipe stubs. All pipe stub extensions shall be supplied with suitable plugs or caps to prevent contamination of the assembly prior to installation.

Each valve shall be supplied with an identification bracket bolted directly onto the valve body for the purpose of applying an approved medical gas identification label. A package of labels shall be supplied with each valve box assembly for application by the installer.

Amico products comply with CSA Z305.1.  
CRN: 0H6038.5C

**PROJECT:**

---



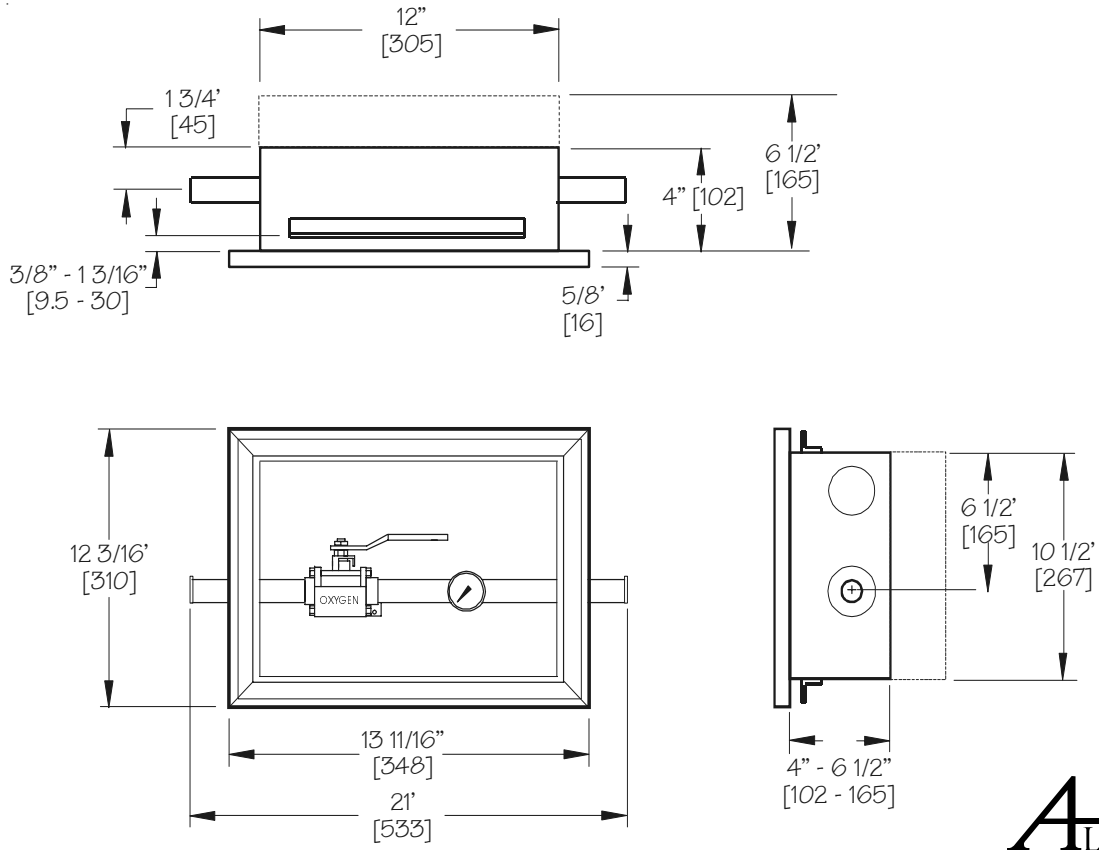
---



---

# DIMENSIONS

inch  
[mm]



**A** Series  
ALERT-1

## MODEL NUMBERS

**NOTE:**

All valves are full port except 2" and 3" which are reduced port.  
 The 1/2" to 2" valves in a single zone valve box will be in a 4" deep box.  
 The 2-1/2" and 3" valves in a single zone valve box will be in a 6-1/2" deep box.

N = Non Monitoring  
 M = Monitoring (with gauge)

**VBE-NXX**

E = English (ISO Colors)  
 F = French (ISO Colors)

Replace XX with the following to indicate the size(s) of the Valve required.

- 1/2" = 05
- 3/4" = 07
- 1" = 10
- 1-1/4" = 12
- 1-1/2" = 15
- 2" = 20
- 2-1/2" = 25
- 3" = 30

Example: Box with gauge, English (ISO) and a 1-1/2" valve M/N = VBE-M15

## DISTRIBUTED BY :